

2 days only  
Sat. & Sun.

# VERNON

## FALL HOME SHOW 2020

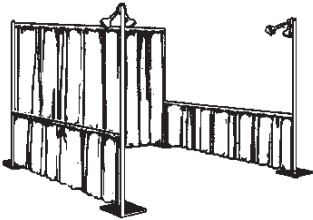
### EXHIBITORS INFORMATION

<b>LOCATION:</b>	<b>Kal Tire Place - North</b> <b>3445 - 43rd Avenue, Vernon BC V1T 8P5</b>		
<b>SHOW HOURS:</b>	Saturday	October 3	10:00 am - 5:00 pm
	Sunday	October 4	10:00 am - 4:00 pm
<b>MOVE-IN TIME:</b>	Friday	October 2	1:00 pm - 8:00 pm
<b>MOVE-OUT TIME:</b>	Sunday	October 4	4:15 pm - 7:00 pm

**MOVE-IN / MOVE-OUT:** All move-in / move-out must be completed as above, unless prior arrangements have been approved by show management. **DO NOT tear down before the show ends on Sunday.**

**NO CHILDREN UNDER THE AGE OF 16 YEARS ARE ALLOWED IN THE BUILDING / YOUR BOOTH DURING MOVE-IN / MOVE-OUT TIMES AND OR DURING SHOW HOURS.**

**STANDARD BOOTH:** All standard booths are draped. The back wall is 8 ft. high; the side dividers are 3 ft. high. Each booth has 2 flood lights and minimal electrical power (350 - 400 watts). S-hooks are provided for hanging light-weight signs. **Height restrictions do apply to the side dividers, your display must not exceed 4 ft. high along the sides.**



**TO RESERVE SPACE:** Follow the instructions on the Exhibit Application Form and return it to **B.C. HomeShows Ltd.**

**ADDITIONAL SERVICES:** **Must be pre-ordered, not available at the show.**

**FORKLIFT SERVICES:** Available - Contact our office to book.

**FREE ADMISSION:** This show is a free admission show for the general public. *(Complimentary exhibitor badges will be distributed to your booth Friday evening; the exhibitor badges are optional at your discretion to wear.)*



---

**B.C. HomeShows Ltd.**

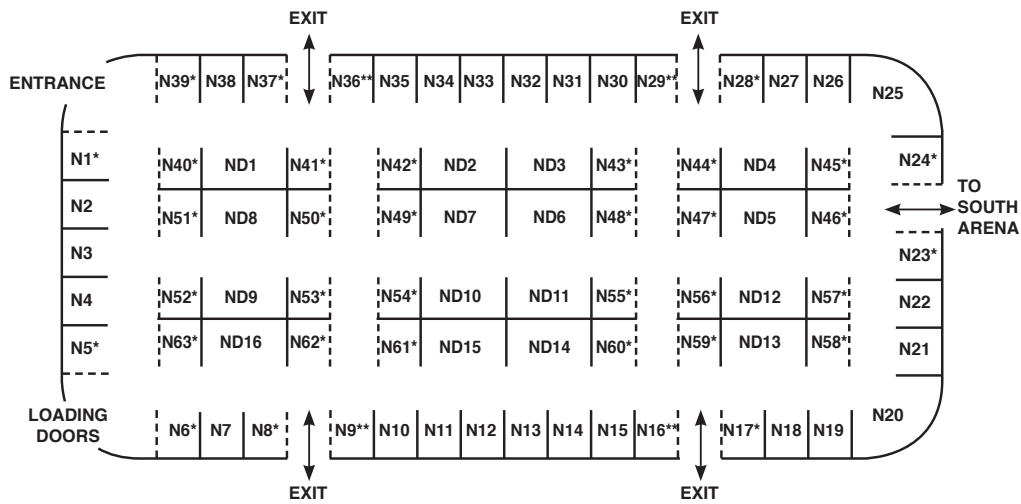
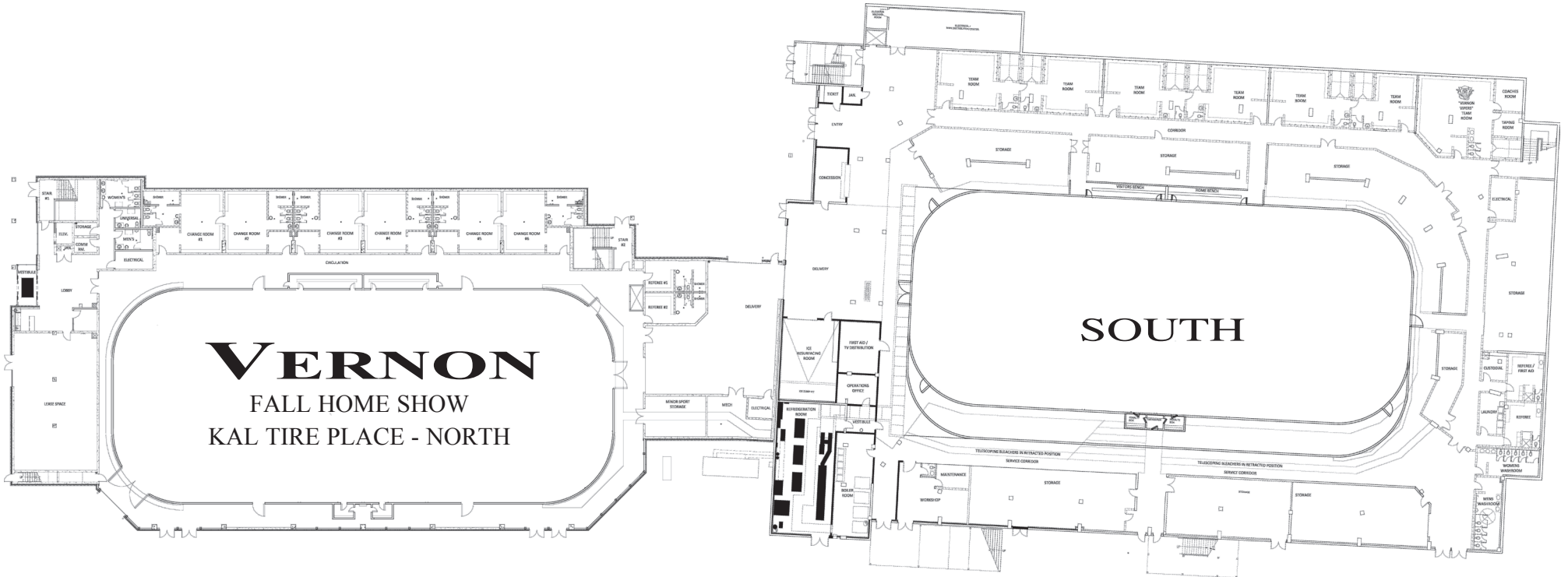
1910 Qu'Appelle Blvd, Kamloops BC V2E 0C7

Sales: 778-471-3365 • Administration: 250-377-8380 • Fax: 250-377-8381

[www.bchomeshows.com](http://www.bchomeshows.com)

# VERNON

## KAL TIRE PLACE - FULL FACILITY LEGEND



---

# Vernon Fall Home Show 2020

---

## SHOW CONDITIONS

**CANCELLATION/REFUND POLICY:** Exhibitors are liable for full amount of contracted space. Any monies paid are non-refundable.

**INSURANCE/LIABILITY:** All property exhibited is at the exhibitor's sole risk, and neither Show Management nor building owners will assume any responsibility for the safety of exhibits against theft, robbery, fire, accidents or other mishaps.

**PAYMENT OF ACCOUNT:** Accounts must be paid in full within seven days of receiving invoice. Show Management reserves the right to refuse entry to any exhibitor whose account has not been paid in full.

**MOVE-IN / MOVE-OUT:** All move-in / move-out must be completed as outlined, unless prior arrangements have been approved by show management. **DO NOT tear down before the show ends on Sunday.**

**NO CHILDREN UNDER THE AGE OF 16 YEARS ARE ALLOWED IN THE BUILDING / YOUR BOOTH DURING MOVE-IN / MOVE-OUT TIMES AND OR DURING SHOW HOURS.**

**ALTERATION OF EXHIBITS:** In an effort to best serve the interests of the show, Show Management reserves the right at any time, without prior notification, to alter exhibits, aisles, common carpets, feature size, booth locations or those exhibits which unduly hamper visibility to other displays. Show Management's decision to this regard is final.

**SUBLETTING OF EXHIBIT SPACE:** No exhibitor may sublet any portion of the booth space to another supplier without the expressed written consent of Show Management.

**PRODUCTS EXHIBITED:** Products exhibited are limited to those products identified and approved on exhibit application/contract.

**STAFFING OF EXHIBITS:** Exhibitors must staff their exhibits at all times during the show.

**LABOUR DISPUTES:** In the event of a labour dispute resulting in "picket activity" either as a result of an exhibitor labour dispute or any other action (including information line), B.C HomeShows Ltd. will not be liable for any loss of revenue from lack of consumer participation. If the exhibitor can eliminate any action by removal of their exhibit, they will be required to do so without compensation for unused exhibit space.

**SHOW CANCELLATION:** Show Management reserves the right at all times to change the dates of the show or to cancel the show altogether in cases or circumstances beyond the control of Show Management without the Exhibitor having any right to any compensation for any losses, costs, expenses or damage which arise out of or are in any way connected with such change or cancellation. Only monies paid will be returned in the event of a show cancellation.

---

**B.C. HomeShows Ltd.**

1910 Qu'Appelle Blvd, Kamloops BC V2E 0C7

Sales: 778-471-3365 • Administration: 250-377-8380 • Fax: 250-377-8381

[www.bchomeshows.com](http://www.bchomeshows.com)

# EXHIBIT APPLICATION FORM

Vernon Fall Home Show

October 3 & 4, 2020

BOOTH SIZE	LOCATION	BOOTH COST	GST	TOTAL
Single (10x9)	Booth N9, N16, N29, N36**	\$585.00	\$29.25	\$614.25
Single (10x10)	Booth N1 - N63	\$650.00	\$32.50	\$682.50
Double (10x20)	Booth ND1 - ND16	\$1,200.00	\$60.00	\$1,260.00
Bulk (20x20)	<i>Subject to availability</i>			
<b>*Single Corner Booth ADD</b>		<b>\$100.00</b>	<b>\$5.00</b>	<b>\$105.00</b>
<b>Other (            x            )</b>				
<b>Booth/Bulk Choice</b>				
1st _____ 2nd _____ 3rd _____				
<u>Payment Instructions:</u>				
Booth Cost: \$ _____	<b>B.C. HomeShows Ltd.</b>			
GST (5%): \$ _____	1910 Qu'Appelle Blvd, Kamloops BC V2E 0C7			
<b>TOTAL:</b> \$ _____	Sales: 778-471-3365			
	Administration: 250-377-8380 • Fax: 250-377-8381			
	A cheque, money order or e-transfer for the full amount must be received by our office within seven (7) days for this application for each booth(s) or bulk area being booked for the Vernon Fall Home Show.			
<b>PLEASE COMPLETE THE FOLLOWING</b> Please Print		<b>Send order form to:</b> <b>wendy@bchomeshows.com</b> or by fax at <b>250-377-8381</b>		
Contact Name _____		The undersigned intends to exhibit the following products/services: 1. _____ 2. _____ 3. _____ 4. _____ 5. _____ 6. _____		
Business Name _____				
Mailing Address _____				
City _____ Prov _____ PC _____				
Phone _____ Fax _____				
We hereby apply for exhibit space in the "Vernon Fall Home Show" and we agree to all the conditions as outlined under "Show Conditions".				
Authorized Signature _____				
Date _____				
<b>EMAIL ADDRESS</b> (Invoice will be emailed to you)				
_____				
<small>Please print your email address</small>				

**B.C. HomeShows Ltd.**

1910 Qu'Appelle Blvd

Kamloops BC V2E 0C7

Sales: 778-471-3365

Administration: 250-377-8380

Fax: 250-377-8381

www.bchomeshows.com

**ADDITIONAL SERVICES ORDER FORM***Must be pre-ordered, not available at the show.*

SHOW NAME	BOOTH NUMBER
-----------	--------------

Qty	COVERED TABLES	Pre-Order	On-Site	Total
	6' x 30" Covered Table Blue	\$50.00	N/A	
	6' x 30" Covered Table Green	\$50.00	N/A	
	<b>PLAIN TABLES</b>	Pre-Order	On-Site	
	6' x 30" Plain Table	\$25.00	N/A	
	<b>BOOTH CARPET</b> CIRCLE YOUR COLOUR CHOICE	Pre-Order	On-Site	
	10' x 10' Blue or Green	\$75.00	N/A	
	10' x 20' Blue or Green	\$150.00	N/A	
	20' x 20' Blue or Green	\$300.00	N/A	
	<b>ELECTRICAL</b> (Minimal 110 Power comes with each booth)	Pre-Order	On-Site	
	110 Volt Service (Full Circuit)	\$50.00	N/A	
	220 Volt Service (30 Amp)	\$100.00	N/A	
	Forklift Service	\$130.00	N/A	
<b>Make Cheques Payable To: B.C. HomeShows Ltd.</b>			<b>Sub - Total</b>	
			<b>GST (5%)</b>	
			<b>TOTAL</b>	

Contact Name: \_\_\_\_\_

Company: \_\_\_\_\_

City: \_\_\_\_\_ PC: \_\_\_\_\_

Phone: \_\_\_\_\_ Fax: \_\_\_\_\_

Signature \_\_\_\_\_ Date \_\_\_\_\_

Fax order form to:

**250-377-8381**